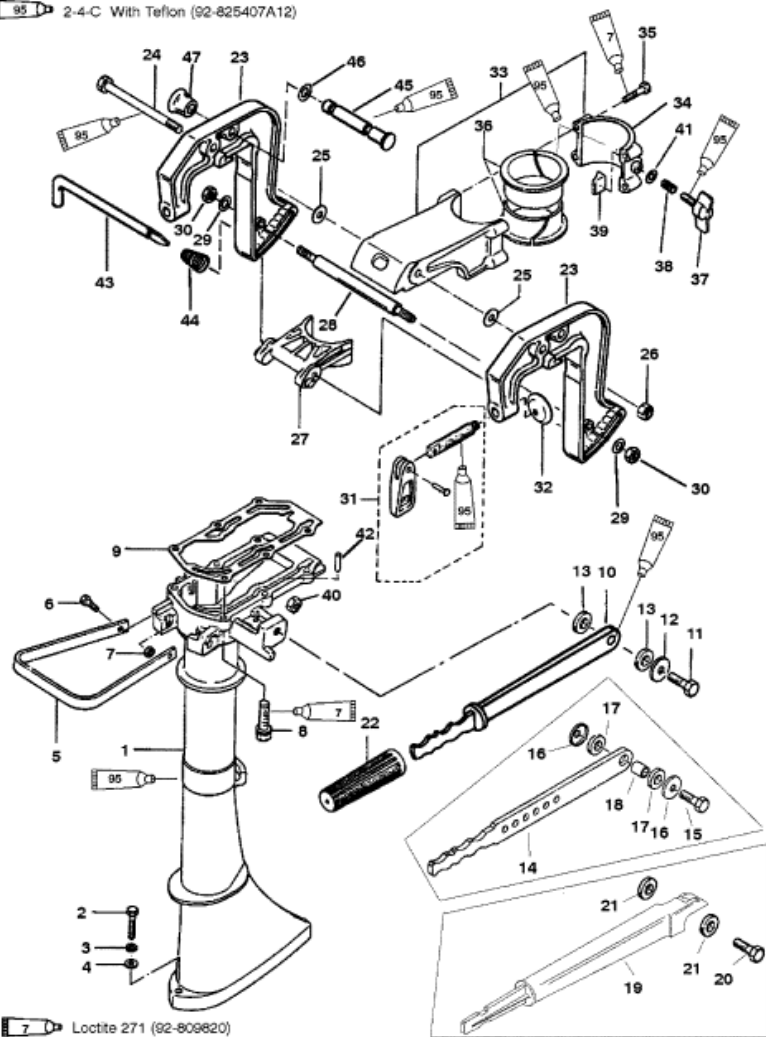


95 2-4-C With Teflon (92-825407A12)



Parts List

Ref	Class	Part	Description	Qty	Comment	Footnote
1	1599	825130	DRIVE SHAFT HOUSING	1	(BLACK)	1
1	1599	825131	DRIVE SHAFT HOUSING	1	(MARINER GRAY)	1
1	1599	825131 2	DRIVE SHAFT HOUSING	1	(FORCE GRAY)	1
2	10	16830	SCREW	2		
3	13	40025 6	LOCKWASHER	2		
4	12	16826	WASHER	2		
5		95276	CARRYING HANDLE	1	(BLACK)	
5		815082	CARRYING HANDLE	1	(MARINER GRAY)	
5		815082 1	CARRYING HANDLE	1	(FORCE GRAY)	
6	10	40003 30	BOLT	2		
7	11	40021 2	NUT	2		
8	10	823042	SCREW	6		
9	27	815076	GASKET	1		5
10		815080 1	STEERING HANDLE	1	(BLACK) DESIGN I	1
10		815081A 1	STEERING HANDLE	1	(MARINER GRAY) DESIGN I	1
11	10	40003 54	SCREW (30MM)	1	DESIGN I	
12	12	16192	WASHER	1	DESIGN I	
13	22	95364	DAMPER	2	DESIGN I	
14		823162A 3	STEERING HANDLE	1	(BLACK) DESIGN II	1
14		823163A 2	STEERING HANDLE	1	(MARINER GRAY) DESIGN II	1
14		823162A 4	STEERING HANDLE	1	(FORCE GRAY) DESIGN II	1
15	10	40003 54	BOLT	1	DESIGN II	
16	12	823047	WASHER	2	DESIGN II	
17	22	823045	DAMPER	2	DESIGN II	
18	23	823046	SPACER	1	DESIGN II	
19		823162A 3	STEERING HANDLE	1	(BLACK) DESIGN III	1
19		823163A 2	STEERING HANDLE	1	(MARINER GRAY) DESIGN III	1
19		823162A 4	STEERING HANDLE	1	(FORCE GRAY) DESIGN III	1
20	10	40011151	SCREW	1	DESIGN III	
21	22	95364	DAMPER	2	DESIGN III	
22		95274	GRIP	1		
-	27	815076A 1	POWERHEAD GASKET SET	1		3